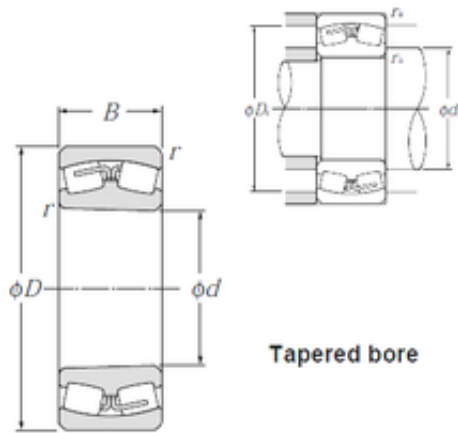




# China 608rs Bearing Supplier

## 23236BK NTN Spherical Roller Bearings



Tapered bore

23236BK Bearing 2D drawings and 3D CAD models

Bearing No. 23236BK

Size	180x320x112 mm
Bore Diameter	180 mm
Outer Diameter	320 mm
Width	112 mm
d	180 mm
D	320 mm
B	112 mm
C	112 mm
r min.	4 mm
da min.	198 mm
Da max.	302 mm
ra max.	3 mm
Weight	37,8 Kg
Basic dynamic load rating (C)	1 230 kN
Basic static load rating (C0)	2 000 kN
(Grease) Lubrication Speed	1 000 r/min
(Oil) Lubrication Speed	1 300 r/min
Calculation factor (e)	0,35
Calculation factor (Y0)	1,86
Calculation factor (Y1)	1,91
Category	Bearings
Inventory	0.0
Manufacturer Name	NTN
Minimum Buy Quantity	N/A
Weight / Kilogram	48
Product Group	B04311



## China 608rs Bearing Supplier